

Presented By: Total Lighting Supply
Contact Phone: (847) 868-2512
Contact E-mail: info@TotalLightingSupply.com

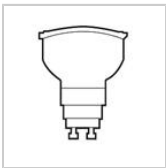
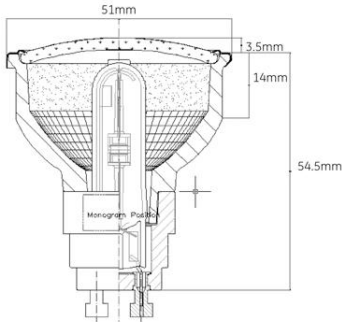
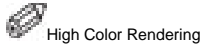
Customer Name:
Project Name:
Fixture Type:



GE
Lighting

71492 - CMH39MR16/942/FL

GE ConstantColor® PulseArc® CMH® Ceramic Metal Halide MR16



CAUTIONS & WARNINGS

Caution

- Lamp may shatter and cause injury if broken
 - Do not use excessive force when installing lamp.
 - Do not use lamp if outer glass is scratched or broken.
- Risk of Burn
 - Allow lamp to cool before handling.
 - Do not turn on lamp until fully installed.

Warning

- Unexpected lamp rupture may cause injury, fire, or property damage
 - Do not exceed rated voltage.
 - Do not store flammable materials near/below lamp.
 - Do not turn on lamp until fully installed.
 - Do not use beyond rated life.
 - Do not use lamp if outer glass is scratched or broken.
 - Do not use where directly exposed to water or outdoors without an enclosed fixture.
 - Use only properly rated ballast.
- Risk of Electric Shock
 - Do not use where directly exposed to water or outdoors without an enclosed fixture.
 - Turn power off before inspection, installation or removal.
- Risk of Fire
 - Keep combustible materials away from lamp.
 - Use fused or thermally protected ballast - see instructions.
 - Use in fixture rated for this product.

GRAPHS & CHARTS

Graphs_Lamp Mortality

GENERAL CHARACTERISTICS

Lamp Type	High Intensity Discharge - Ceramic Metal Halide
Bulb	MR16
Base	GX10
Rated Life	12000.0 hrs
Lamp Enclosure Type (LET)	Open or enclosed fixtures
Base Temperature (MAX)	300.0 °C
Bulb Temperature (MAX)	300.0 °C
LEED-EB MR Credit	140 picograms Hg per mean lumen hour
Additional Info	UV control
Primary Application	Indoor Spotlight

PHOTOMETRIC CHARACTERISTICS

Initial Lumens	2200.0
Nominal Initial Lumens per Watt	56
Beam Spread	25.0 °
Center Beam Candlepower (CBCP)	5500.0
Color Temperature	4000.0 K
Color Rendering Index (CRI)	92.0

ELECTRICAL CHARACTERISTICS

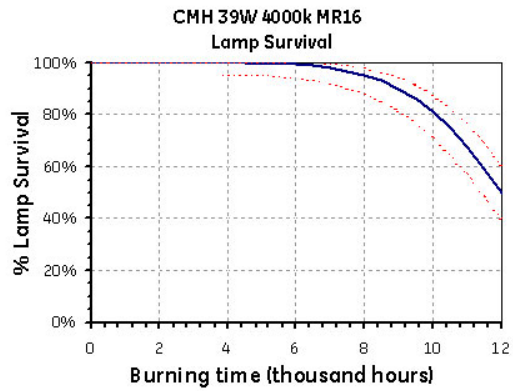
Wattage	39.0
Burn Position	Universal burning position
Open Circuit Voltage (peak lead ballast) (MIN)	95.0 V
Warm Up Time to 90%	3.0 min
Hot Restart Time to 90%	6.5 min

DIMENSIONS

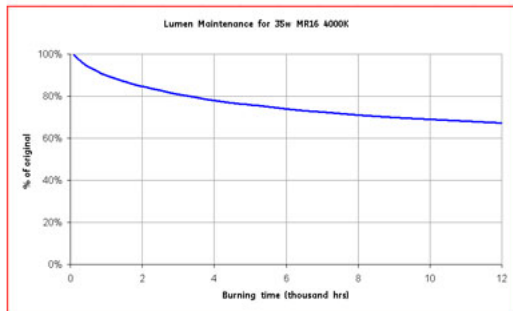
Maximum Overall Length (MOL)	2.2800 in(57.9 mm)
Bulb Diameter (DIA) (MAX)	2.000 in(50.8 mm)

PRODUCT INFORMATION

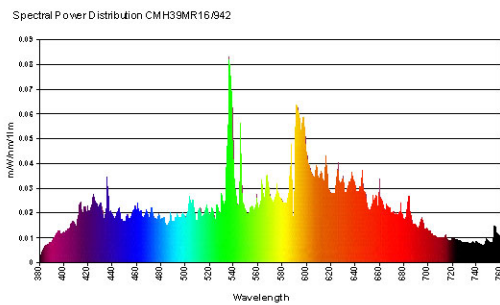
Product Code	71492
Description	CMH39MR16/942/FL
ANSI Code	C130/M130
Standard Package	Case
Standard Package GTIN	10043168714928
Standard Package Quantity	12
Sales Unit	Unit
No Of Items Per Sales Unit	1
No Of Items Per Standard Package	12
UPC	043168714921



Graphs_Lumen Maintenance



Graphs_Spectral Power Distribution



NOTES

- Rated life based on 11 hours per start
- Use only with low frequency square wave (LFSW) electronic ballast.