

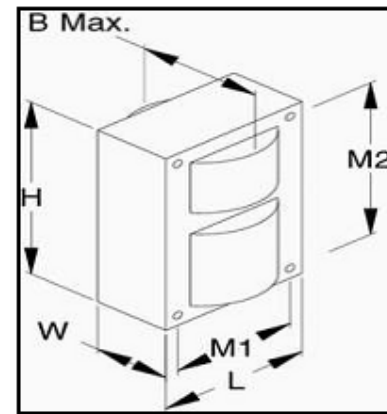
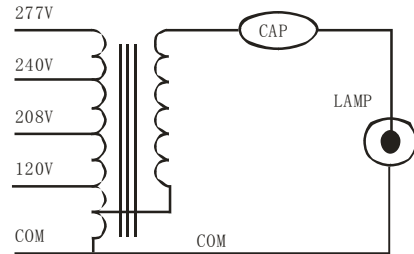


Catalog#	BB-1000MHC6CC
Type:	1000W Metal Halide
Voltage:	Quad(120/208/240/277)

### General Information

Lamp Type	1000W MH
ANSI Designation	M47
Line Voltage(V)	120/208/240/277
Regulation	10%
Frequency(Hz)	60
Recommended Fuse(A)	20/15/10/10
Circuit Type	CWA
Insulation Class	180°C
Capacitor Value	24UF
Capacitor Voltage Rating	480V
Cap. Temp. Rating	105°C
Winding Materials(Pri/Sec)	Al/Al
Lamp Starter	N/A
Agency Certification	RU,cRU
Maximum Distance to Lamp	N/A

### Wiring Diagram



### Electrical Characteristics

Line Volt (V)	Power Factor	Line Current (A)			Input Power (W)	Open Circuit Voltage (V)	Min Start Temp.
		Operating	Open	Start			
120	High	9.50	5.30	9.10	1070	415	-30°C
208	High	5.20	3.10	4.80	1070	415	-30°C
240	High	4.50	2.70	4.00	1070	415	-30°C
277	High	3.90	2.40	3.95	1070	415	-30°C

### Physical Characteristics

Overall Dimensions (Inches)				Mounting Holes (Inches)			Bracket Dimension (Inches)		Ballast Net Weight (KG)	Lead Length (Inches)
Length	Width	Height	B max.	Diameter	M1	M2	Length	Width		
4.30	3.46	6.02	5.43	0.25	3.89	5.37	7.25	1.11	9.11	12-14