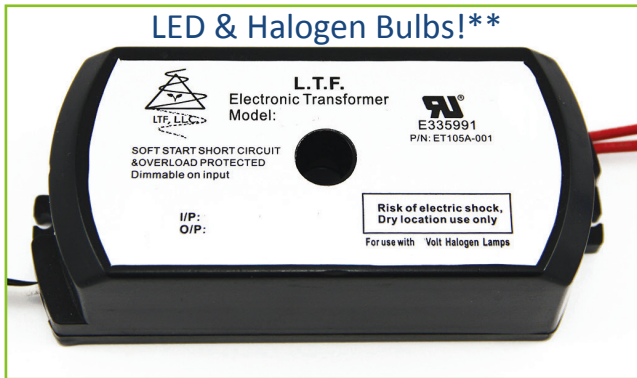




L.T.F. Low Voltage Electronic Power Supply



100W 12V AC/DC TA100WA12, TU100WA12 Series & TA100WD12, TU100WD12 Series



Efficiency	higher than 85%
Power Factor	>98%
Case TC*	90°C Max.
Protection	Input / Output
Storage	-30°C / +90°C
Humidity	95% RH Max.
IP Rating	IP 60
Dimming	ELV Dimmable



FEATURES

- No load technology, works with both Halogen & LED AC loads **
- Isolated output power per NEC and UL safety requirements
- UL recognized/listed Class 2 power supply, meet UL 2108 requirements
- Auto-reset; Short circuit, Overload and Thermal protection
- Soft start
- Dimmable
- Low profile, small compact design to fit in most enclosures

ELECTRICAL SPECIFICATIONS

120V					
Model #	Input Voltage	Input Current	Output Voltage	Weight	Load Type
TA100WA12	120V AC 50/60Hz	0.83 A	12V AC	240g	Incandescent & Halogen Bulbs
TA100WA12LED	120V AC 50/60Hz	0.83 A	12V AC	240g	AC LED Bulbs, Incandescent & Halogen Bulbs
TA100WD12LED	120V AC 50/60Hz	0.83 A	12V DC	240g	LED Strips, LED Bulbs, Incandescent & Halogen Bulbs

120V Remote					
Model #	Input Voltage	Input Current	Output Voltage	Weight	Load Type
TA100WD12LEDRE	120V AC 50/60Hz	0.83 A	12V DC	713g	LED Strips, LED Bulbs, Incandescent & Halogen Bulbs
TA100WD12LEDREO	120V AC 50/60Hz	0.83 A	12V DC	1037g	LED Strips, LED Bulbs, Incandescent & Halogen Bulbs

220-240V					
Model #	Input Voltage	Input Current	Output Voltage	Weight	Load Type
TU100WA12	220-240V AC 50/60Hz	0.45 A	12V AC	240g	Incandescent & Halogen Bulbs
TU100WA12LED	220-240V AC 50/60Hz	0.45 A	12V AC	240g	AC LED Bulbs, Incandescent & Halogen Bulbs
TU100WD12LED	220-240V AC 50/60Hz	0.45 A	12V DC	240g	LED Strips, LED Bulbs, Incandescent & Halogen Bulbs

* Under confirmed thermal condition



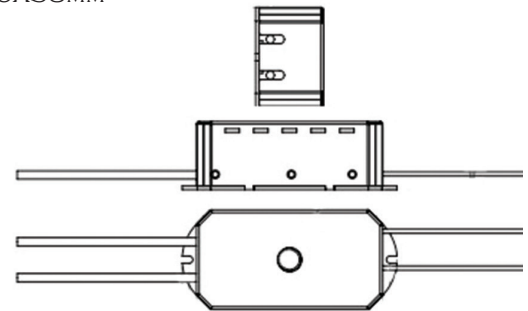
220-240V Remote					
Model #	Input Voltage	Input Current	Output Voltage	Weight	Load Type
TU100WD12LEDRE	220-240V AC 50/60Hz	0.45 A	12V DC	713g	LED Strips, LED Bulbs, Incandescent & Halogen Bulbs
TU100WD12LEDREO	220-240V AC 50/60Hz	0.45 A	12V DC	1037g	LED Strips, LED Bulbs, Incandescent & Halogen Bulbs

MECHANICAL SPECS.

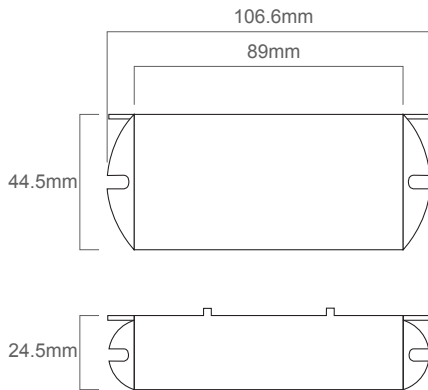
Available Form Factors	Dimensions
Standard AC "E5"	110x47x35mm
Standard DC "E6"	120x55.5x38mm
"B5"	77x32x21mm
"E"	107x44.5x24.5mm
"G2"	233.1x85.5x48.9mm
"G3"	280x103x56mm

STANDARD

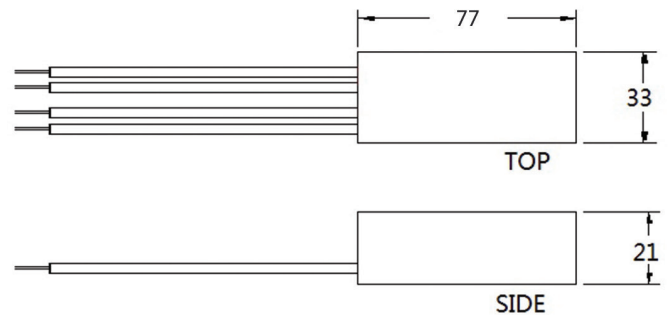
AC - E5 110X47X35MM
 DC - E6 120X55.5X38MM



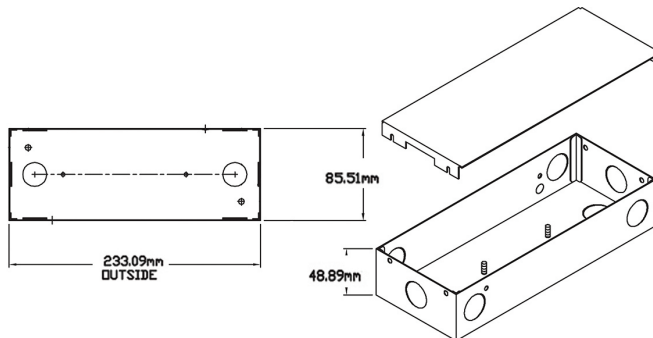
E - SPECIAL ORDER



B5 - SPECIAL ORDER - AC MODELS ONLY



G2 - LED REMOTE (RE) MODELS ONLY



G3 - LED REMOTE (REO) MODELS ONLY

