



MR16 LED

5MR16/END/F24 2700 10/1

Philips MR16 Dimmable LED Lamps provide ambient level light to illuminate hard to maintain applications. Increased transformer compatibility allows for operation on a wider range of transformers. Available in dimmable and non-dimmable versions, these lamps are ideal for track and open recessed fixtures in retail, hospitality and residential spaces.

Product data

• General Characteristics

Cap-Base	GU5.3
Bulb	MR16 [MR 16inch/50mm]
Rated Avg. Life (Hours)	25000 hr

• Light Technical Characteristics

Color Code	WW
Color Designation	Warm White
Beam Angle	24 D
Beam Description	- [-]
Correlated Color Temperature	2700 K
Approx. MBCP	1200 cd
CRI	80
Color Temp. (Kelvin)	2700 K [CCT 2700K]
Rated Luminous Flux	290 Lm

• Electrical Characteristics

Wattage	5.5 W
Wattage Technical	5.5 W

Voltage	12 V
Power Factor	0.6 -
Lamp Current mA	730 mA
Dimmable	No

• Product Dimensions

Overall Length C	50.1 mm
Diameter D	49.9 mm

• Product Data

Product number	420398
Full product name	5MR16/END/F24 2700 10/1
Short product name	5MR16/END/F24 2700 10/1
Pieces per Sku	1
eop_pck_cfg	10
Skus/Case	10
Bar code on pack	46677420390
Bar code on case	50046677420395
Logistics code(s)	929000205204
eop_net_weight_pp	0.055 kg

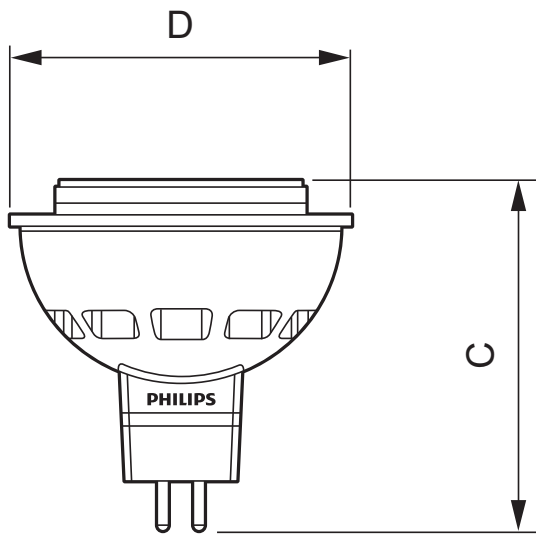
Dimensional drawing



PHILIPS

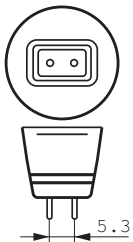
sense and simplicity

Dimensional drawing



5MR16/END/F24 2700 10/1

Product	C (Norm)	D (Norm)
LED 5.5-35W WW 2700K 12V MR16 24D	50.1	49.9



GU5.3



© 2013 Koninklijke Philips Electronics N.V.
All rights reserved.

Specifications are subject to change without notice. Trademarks are the property of Koninklijke Philips Electronics N.V. or their respective owners.

www.philips.com/lighting

2013, May 17
data subject to change